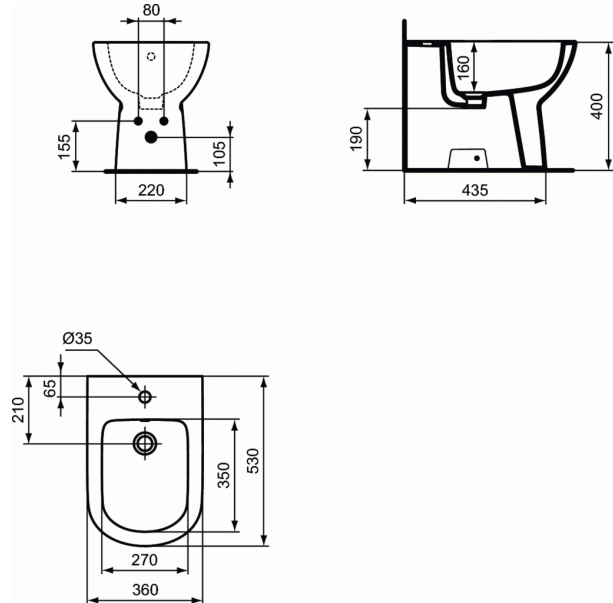


## TEMPO

### Floor standing bidet BTW



#### Floor standing bidet BTW

Back to wall, one tap hole

In carton box

EN 14528

Including: Fixation set TT0257919

Recommended equipment:

- Siphon waste for bidet G1 1/4 A2307AA

- Stop angle valve (water connection G1/2, connection with mixer 10 mm/ G3/8) B7883AA

#### FINISHES\*



01

\* 01 = Euro White