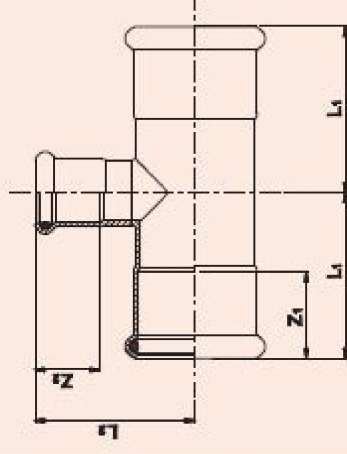


Te reducida HHH



Código	D mm	L1 mm	L2 mm	Z1 mm	Z2 mm	Uds.
22TR018015	18-15-18	37	41	20	20	20
22TR022015	22-15-22	39	43	21	20	10
22TR022018	22-18-22	39	44	21	20	10
22TR028015	28-15-28	44	46	23	20	10
22TR028018	28-18-28	44	46	23	20	10
22TR028022	28-22-28	44	47	23	21	10
22TR035015	35-15-35	51	49	26	20	5
22TR035018	35-18-35	51	50	26	20	5
22TR035022	35-22-35	51	51	26	21	5
22TR035028	35-28-35	51	54	26	23	5
22TR042022	42-22-42	59	54	30	21	4
22TR042028	42-28-42	59	57	30	23	4
22TR042035	42-35-42	59	61	30	26	4
22TR054022	54-22-54	70	62	35	21	2
22TR054028	54-28-54	70	65	35	23	2
22TR054035	54-35-54	70	68	35	26	2
22TR054042	54-42-54	70	72	35	30	2
22TR076022	76-22-76	108	74	55	21	2
22TR076028	76-28-76	108	77	55	23	2
22TR076035	76-35-76	108	80	55	26	2
202TR076042	76-42-76	108	84	55	30	2
22TR076054	76-54-76	108	90	55	35	2
22TR088028	88-28-88	132	84	60	23	2
22TR088035	88-35-88	132	88	60	26	2
22TR088042	88-42-88	132	91	60	30	2
22TR088054	88-54-88	132	97	60	35	2
22TR088076	88-76-88	132	125	60	55	2
22TR108028	108-28-108	155	94	75	23	2
22TR108035	108-35-108	155	97	75	26	2
22TR108042	108-42-108	155	101	75	30	2
22TR108054	108-54-108	155	107	75	35	2
22TR108076	108-76-108	155	135	75	55	2
22TR108088	108-88-108	155	141	75	60	2